

Monark, President, Senator and Bulldog

Air-Assisted Spray Packages

Features and Benefits

- Air-assisted technology provides high transfer efficiency for material savings and environmental compliance
- Extremely reliable and proven Monark, President, Senator and Bulldog pumps
- Ergonomic and easy-to-use package for the operator
- Features Alpha Plus air-assisted gun and PRO Xs4 electrostatic gun

Typical Applications

- Furniture/Wood/Cabinets
- Farm and Construction Equipment
- Aerospace
- Truck and Fleet
- General Metal Fabrication

Typical Fluids Handled

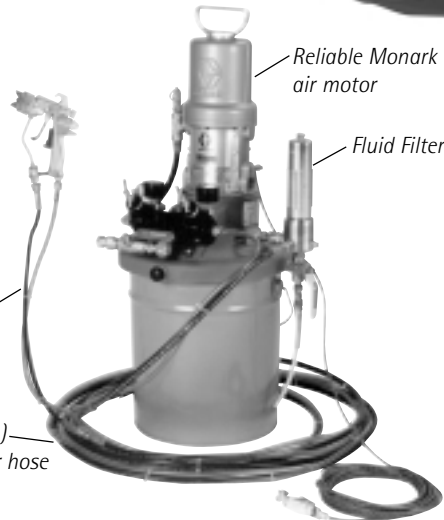
- Epoxies
- Polyurethanes
- Lacquers
- Enamels
- Waterborne



President 30:1, Heated Heavy-Duty Cart 231983

PRO AA Xs4 Smart Electrostatic gun

Reliable President air motor



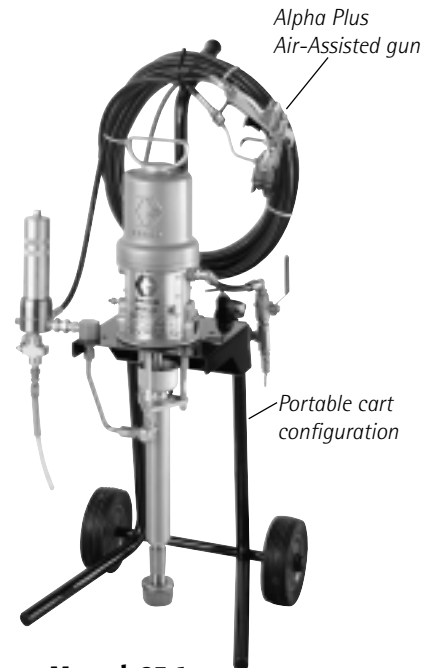
Monark 15:1 Pail-Mount 232467

2 ft. (0.6 m) whip hose

25 ft. (7.6 m) fluid and air hose

Reliable Monark air motor

Fluid Filter



Monark 23:1 Light-Duty Cart 232415

Alpha Plus Air-Assisted gun

Portable cart configuration

Monark, President, Senator and Bulldog Air-Assisted Spray Packages

Technical Specifications

	Monark 15:1	Monark 23:1	President 15:1	President 30:1
Pump ratio				
Maximum fluid outlet pressure	1500 psi (103 bar, 10.3 MPa)	2300 psi (160 bar, 16.0 MPa)	1500 psi (103 bar, 10.3 MPa)	3000 psi (210 bar, 21.0 MPa)
Maximum air input pressure	100 psi (7 bar, 0.7 MPa)	100 psi (7 bar, 0.7 MPa)	100 psi (7 bar, 0.7 MPa)	100 psi (7 bar, 0.7 MPa)
Fluid Flow @ 60 cpm	0.7 gpm (2.6 lpm)	0.4 gpm (1.6 lpm)	1.8 gpm (6.8 lpm)	1.0 gpm (3.8 lpm)
Volume per cycle	1.5 oz. (44 cc)	0.9 oz. (27 cc)	4 oz. (112 cc)	2 oz. (62 cc)
Pump air consumption at 100 psi (7 bar, 0.7 MPa) air @ 20 cpm	3 scfm (0.08 m ³ /min.)	3 scfm (0.08 m ³ /min.)	10 scfm (0.28 m ³ /min.)	10 scfm (0.28 m ³ /min.)
Sound pressure level @ 100 psi (7 bar, 0.7 MPa) air @ 20 cpm	75 dBA	75 dBA	81 dBA	81 dBA
Air inlet, package	3/8 npsm(f)	3/8 npsm(f)	3/8 npsm(f)	3/8 npsm(f)
Fluid inlet, pump	3/4 npt(m)	3/4 npt(m)	3/4 npt(m)	3/4 npt(m)
Fluid outlet, package	1/4 npsm(m)	1/4 npsm(m)	1/4 npsm(m)	1/4 npsm(m)
Weight				
Wall-mount package	65 lb. (30 kg)	65 lb. (30 kg)	75 lb. (34 kg)	75 lb. (34 kg)
Heavy-duty cart	85 lb. (39 kg)	85 lb. (39 kg)	85 lb. (39 kg)	85 lb. (39 kg)

Note: For instruction manual numbers, refer to ordering information

Monark, President, Senator and Bulldog Air-Assisted Spray Packages

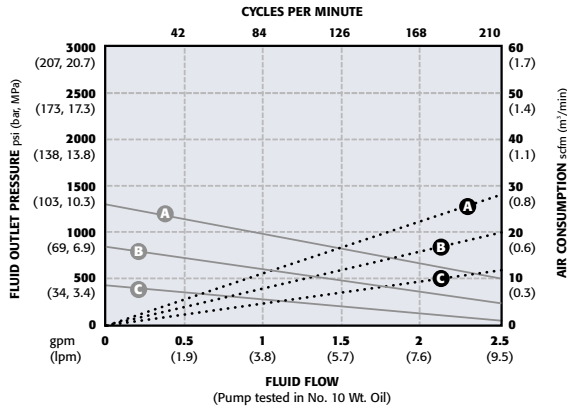
Technical Specifications, cont'd

	Senator 17:1	Bulldog 33:1	Bulldog 41:1
Fluid pressure ratio			
Maximum fluid outlet pressure	1700 psi (117 bar, 11.7 MPa)	3300 psi (228 bar, 22.8 MPa)	4100 psi (283 bar, 28.3 MPa)
Maximum air input pressure	100 psi (7 bar, 0.7 MPa)	100 psi (7 bar, 0.7 MPa)	100 psi (7 bar, 0.7 MPa)
Fluid Flow @ 60 cpm	3.4 gpm (13.0 lpm)	2.9 gpm (10.8 lpm)	2.3 gpm (8.7 lpm)
Volume per cycle	7 oz. (220 cc)	6 oz. (180 cc)	5 oz. (145 cc)
Pump air consumption at 100 psi (7 bar, 0.7 MPa) air @ 20 cpm	12 scfm (0.34 m ³ /min.)	32 scfm (0.91 m ³ /min.)	32 scfm (0.91 m ³ /min.)
Sound pressure level @ 100 psi (7 bar, 0.7 MPa) air @ 20 cpm	88 dBA	90 dBA	90 dBA
Air inlet, package	3/4 npsm(f)	3/4 npsm(f)	3/4 npsm(f)
Fluid inlet, pump	1-1/4 npt(m)	1-1/4 npt(m)	1-1/4 npt(m)
Fluid outlet, package	1/4 npt(m)	1/4 npt(m)	1/4 npt(m)
Weight			
Wall-mount package	130 lb. (59 kg)	135 lb. (61 kg)	N/A
55 gallon (200 l) drum package	N/A	275 lb. (125 kg)	N/A
Heavy-duty cart	N/A	236 lb. (107 kg)	236 lb. (107 kg)

Note: For instruction manual numbers, refer to ordering information

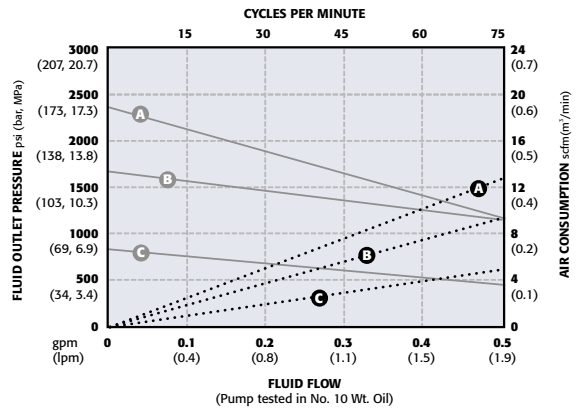
Monark, President, Senator and Bulldog Air-Assisted Spray Packages

**Performance Chart for
Monark 15:1 Pump**



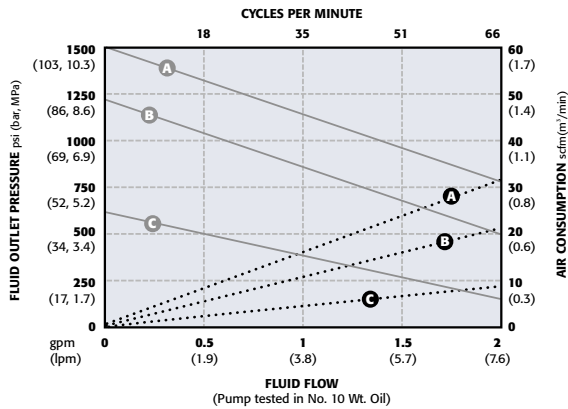
AIR PRESSURES	LEGEND
(A) = @ 100 psi (7.0 bar, 0.7 MPa)	Air Consumption.....
(B) = @ 70 psi (4.8 bar, 0.5 MPa)	Fluid Flow _____
(C) = @ 40 psi (2.8 bar, 0.3 MPa)	

**Performance Chart for
Monark 23:1 Pump**



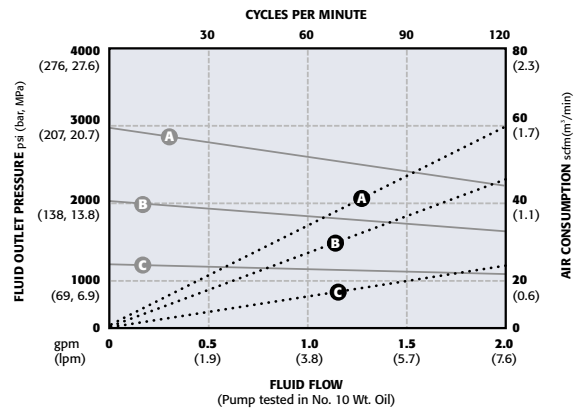
AIR PRESSURES	LEGEND
(A) = @ 100 psi (7 bar, 0.7 MPa)	Air Consumption.....
(B) = @ 70 psi (4.8 bar, 0.5 MPa)	Fluid Flow _____
(C) = @ 40 psi (2.8 bar, 0.3 MPa)	

**Performance Chart for
President 15:1 Pump**



AIR PRESSURES	LEGEND
(A) = @ 100 psi (7.0 bar, 0.7 MPa)	Air Consumption.....
(B) = @ 70 psi (4.8 bar, 0.5 MPa)	Fluid Flow _____
(C) = @ 40 psi (2.8 bar, 0.3 MPa)	

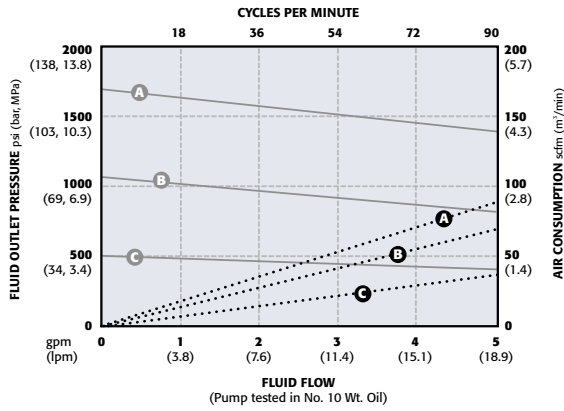
**Performance Chart for
President 30:1 Pump**



AIR PRESSURES	LEGEND
(A) = @ 100 psi (7.0 bar, 0.7 MPa)	Air Consumption.....
(B) = @ 70 psi (4.8 bar, 0.5 MPa)	Fluid Flow _____
(C) = @ 40 psi (2.8 bar, 0.3 MPa)	

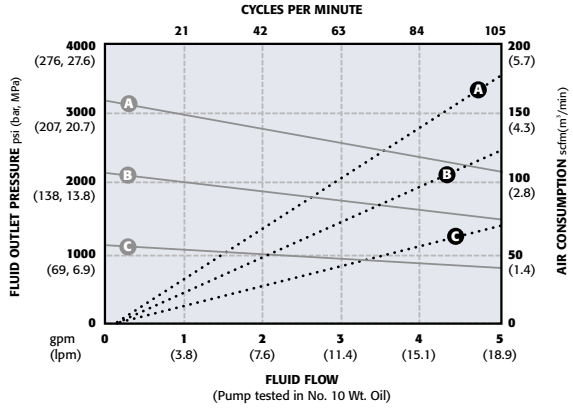
Monark, President, Senator and Bulldog Air-Assisted Spray Packages

Performance Chart for Senator 17:1 Pump



AIR PRESSURES	LEGEND
A = @ 100 psi (7.0 bar, 0.7 MPa)	Air Consumption.....
B = @ 70 psi (4.8 bar, 0.5 MPa)	Fluid Flow.....
C = @ 40 psi (2.8 bar, 0.3 MPa)	

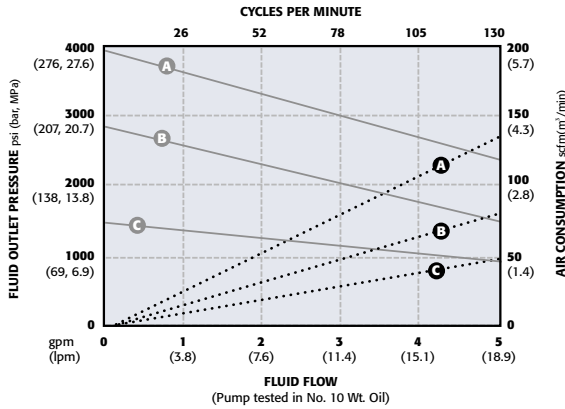
Performance Chart for Bulldog 33:1 Pump



AIR PRESSURES	LEGEND
A = @ 100 psi (7 bar, 0.7 MPa)	Air Consumption.....
B = @ 70 psi (4.8 bar, 0.5 MPa)	Fluid Flow.....
C = @ 40 psi (2.8 bar, 0.3 MPa)	

5

Performance Chart for Bulldog 41:1 Pump

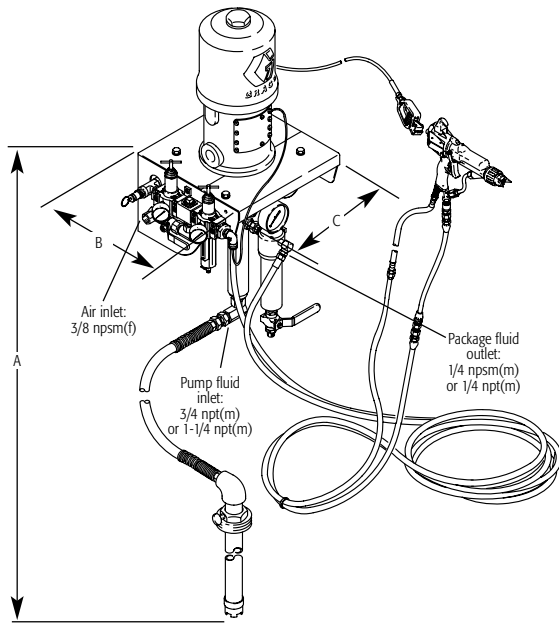


AIR PRESSURES	LEGEND
A = @ 100 psi (7 bar, 0.7 MPa)	Air Consumption.....
B = @ 70 psi (4.8 bar, 0.5 MPa)	Fluid Flow.....
C = @ 40 psi (2.8 bar, 0.3 MPa)	

Monark, President, Senator and Bulldog Air-Assisted Spray Packages

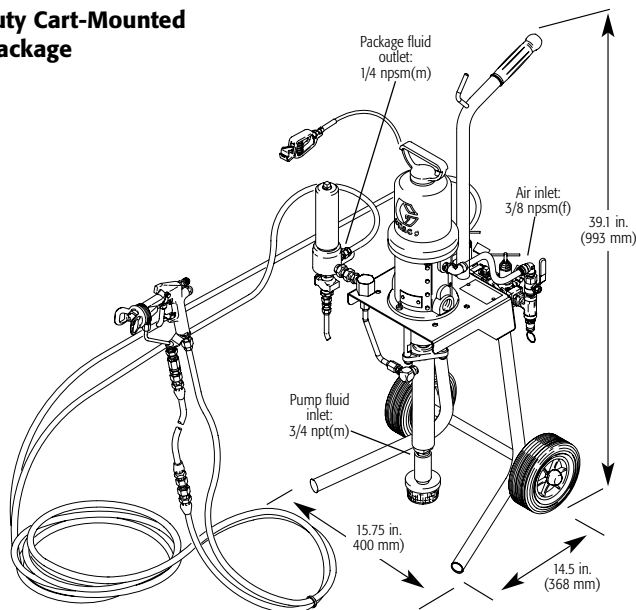
Dimensions

Wall-Mounted Spray Package



Wall-Mount	A	B	C
Monark	Max 5 ft. (1.5 m)	12 in. (305 mm)	12 in. (305 mm)
President	Max 5 ft. (1.5 m)	12 in. (305 mm)	12 in. (305 mm)
Senator	Max 5 ft. (1.5 m)	12.5 in. (318 mm)	18.0 in. (457 mm)
Bulldog	Max 5 ft. (1.5 m)	12.5 in. (318 mm)	18.0 in. (457 mm)

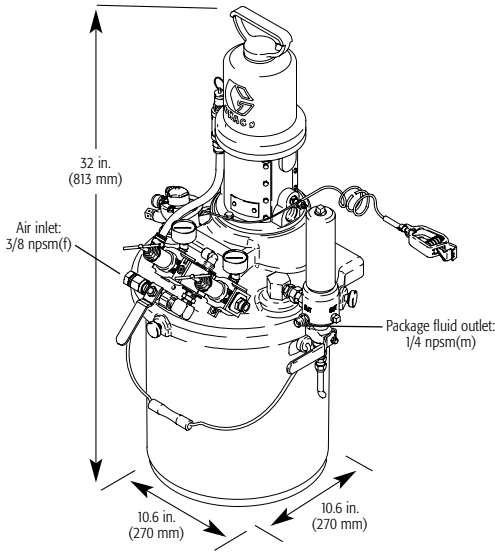
Monark Light Duty Cart-Mounted Spray Package



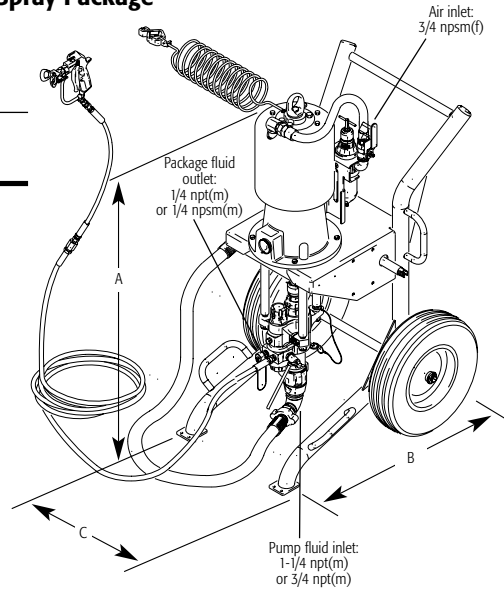
Monark, President, Senator and Bulldog Air-Assisted Spray Packages

Dimensions

Monark Pail-Mount Spray Package



Heavy-Duty, Cart-Mounted Spray Package



Heavy-Duty Cart	A	B	C
Monark	38.5 in. (978 mm)	21 in. (534 mm)	20 in. (508 mm)
President	38.5 in. (978 mm)	21 in. (534 mm)	20 in. (508 mm)
Bulldog	49.5 in. (1258 mm)	30.7 in. (780 mm)	25.7 in. (653 mm)

Monark, President, Senator and Bulldog Air-Assisted Spray Packages

Ordering Information

1. Select appropriate spray package (Monark 15:1, Monark 23:1, President 15:1, President 30:1, Senator 17:1, Bulldog 33:1 or Bulldog 41:1) based on pressure and flow requirements of the application. Refer to Monark, President, Senator and Bulldog pump performance charts.
2. Select wall-mount, pail-mount, light-duty cart, heavy-duty cart or 55 gallon (200 l) drum (Bulldog 33:1 package only) mounting configuration.
3. Select package construction (carbon steel or stainless steel) based on the corrosive and chemical characteristics of the fluid to be handled.
4. Select package with Alpha Plus spray gun, PRO AA Xs4 electrostatic gun or bare (without gun or hoses).
5. Select non-heated or heated package, based on temperature requirements of the fluid to be sprayed.
6. If a heated package is selected, choose 120V, 200V, 240V or 480V voltage, based on electrical installation requirements.
7. For pail-mount configurations, select package with agitator or without agitator.
8. Order package part number.

MONARK 15:1 AIR-ASSISTED SPRAY PACKAGES

1500 psi (100 bar, 10 MPa)

Carbon Steel	Stainless Steel	Part Number	Wall-Mount	Pail-Mount	Light-Duty Cart Mount	Heavy-Duty Cart Mount	Heated Package	Heater Voltage	Fluid Regulator	Fluid Filter	Agitator	Siphon Tube	Back Pressure Regulator	Circulation Kit	Circulation Manifold	Bare Package - no hose or gun	Fluid Swivel at Gun Inlet	Whip Hose 2 ft. (0.6 m)	Fluid Hose 25 ft. (7.6 m)	Air Hose 25 ft. (7.6 m)	Applicator	Instruction Manual
•		232256	•						•	•		•			•							308757
	•	232252	•						•	•		•			•							308757
•		232255	•						•	•		•				•	•	•	•		Alpha Plus	308757
	•	232251	•						•	•		•				•	•	•	•		Alpha Plus	308757
•		232325	•			•	200		•	•		•	•	•	•	•	•	•	•	•	PRO AA Xs4 Smart	308761
•		232315	•			•	240		•	•		•	•	•	•	•	•	•	•	•	Alpha Plus	308760
•		232323	•			•	240		•	•		•	•	•	•	•	•	•	•	•	PRO AA Xs4 Smart	308761
•		232316	•			•	480		•	•		•	•	•	•	•	•	•	•	•	Alpha Plus	308760
•		232324	•			•	480		•	•		•	•	•	•	•	•	•	•	•	PRO AA Xs4 Smart	308761
•		232464	•	•					•	•					•							308766
	•	232458		•					•	•					•							308766
•		232463		•					•	•						•	•	•	•		Alpha Plus	308766
	•	232457		•					•	•						•	•	•	•		Alpha Plus	308766
•		232467		•					•	•	•					•	•	•	•		Alpha Plus	308766
	•	232461		•					•	•	•					•	•	•	•		Alpha Plus	308766
•		232425		•					•	•						•	•	•	•		Alpha Plus	308763
•		232507			•				•	•					•							308690
•		232506			•				•	•						•	•	•	•		Alpha Plus	308690
	•	231964			•				•	•						•	•	•	•		Alpha Plus	308690
	•	232005			•	•	120		•	•		•	•	•	•	•	•	•	•	•	Alpha Plus	308693
	•	232006			•	•	240		•	•		•	•	•	•	•	•	•	•	•	Alpha Plus	308693

Note: Monark 15:1 packages include a GG4413 tip with an additional tip of choice.

Monark 15:1 electrostatic packages include a GG3413 tip with an additional tip of choice.

Monark, President, Senator and Bulldog Air-Assisted Spray Packages

Ordering Information, continued

MONARK 23:1 AIR-ASSISTED SPRAY PACKAGES

2300 psi (160 bar, 16 MPa)

Carbon Steel Stainless Steel Part Number	Wall-Mount Pail-Mount	Light-Duty Cart-Mount Heavy-Duty Cart-Mount Heated Package	Heater Voltage	Fluid Regulator Fluid Filter	Agitator	Siphon Tube	Back Pressure Regulator	Circulation Kit	Circulation Manifold	Bare Package - no hose or gun	Fluid Swivel at Gun Inlet	Whip Hose 2 ft. (0.6 m)	Fluid Hose 25 ft. (7.6 m)	Air Hose 25 ft. (7.6 m)	Applicator	Instruction Manual
•	232227	•				•				•						308757
•	232238	•				•				•						308757
•	232226	•				•				•	•	•	•	Alpha Plus		308757
•	232237	•				•				•	•	•	•	Alpha Plus		308757
•	232230	•				•				•	•	•	•	PRO AA Xs4 Smart		308758
•	232241	•				•				•	•	•	•	PRO AA Xs4 Smart		308758
•	232309	•		•	200	•	•	•	•	•	•	•	•	PRO AA Xs4 Smart		308761
•	232307	•		•	240	•	•	•	•	•	•	•	•	PRO AA Xs4 Smart		308761
•	232395	•		•	240	•	•	•	•	•	•	•	•	PRO AA Xs4 Smart		308761
•	232308	•		•	480	•	•	•	•	•	•	•	•	PRO AA Xs4 Smart		308761
•	232396	•		•	480	•	•	•	•	•	•	•	•	PRO AA Xs4 Smart		308761
•	232440	•				•				•						308766
•	232452	•				•				•						308766
•	232439	•				•				•	•	•	•	Alpha Plus		308766
•	232443	•				•	•			•	•	•	•	Alpha Plus		308766
•	232451	•				•				•	•	•	•	Alpha Plus		308766
•	232455	•				•	•			•	•	•	•	Alpha Plus		308766
•	232416	•				•				•						308763
•	232415	•				•				•	•	•	•	Alpha Plus		308763
•	232688	•				•				•	•	•	•	Alpha Plus		308763
•	232419	•				•				•	•	•	•	PRO AA Xs4 Smart		308764
•	232422	•				•				•	•	•	•	PRO AA Xs4 Smart		308764
•	231944	•				•				•						308690
•	231943	•				•				•	•	•	•	Alpha Plus		308690
•	231945	•				•				•	•	50 ft.	50 ft.	Alpha Plus		308690
•	231952	•				•				•	•	•	•	Alpha Plus		308690
•	232059	•		•	120	•	•	•	•	•	•	•	•	Alpha Plus		308693
•	232049	•		•	120	•	•	•	•	•	•	•	•	Alpha Plus		308693
•	232060	•		•	240	•	•	•	•	•	•	•	•	Alpha Plus		308693
•	232050	•		•	240	•	•	•	•	•	•	•	•	Alpha Plus		308693

Note: Monark 23:1 packages include a GG4413 tip with an additional tip of choice.

Monark 23:1 electrostatic packages include a GG3413 tip with an additional tip of choice.

Monark, President, Senator and Bulldog Air-Assisted Spray Packages

Ordering Information, continued

PRESIDENT 15:1 AIR-ASSISTED SPRAY PACKAGES

1500 psi (102 bar, 10 MPa)

Carbon Steel	Stainless Steel	Part Number	Wall-Mount	Pail-Mount	Light-Duty Cart-Mount	Heavy-Duty Cart-Mount	Heated Package	Heater Voltage	Fluid Regulator	Fluid Filter	Agitator	Siphon Tube	Back Pressure Regulator	Circulation Kit	Circulation Manifold	Bare Package - no hose or gun	Fluid Swivel at Gun Inlet	Whip Hose 2 ft. (0.6 m)	Fluid Hose 25 ft. (7.6 m)	Air Hose 25 ft. (7.6 m)	Applicator	Instruction Manual
•		232245	•						•		•				•							308757
•		232244	•						•		•					•	•	•	•	•	Alpha Plus	308757
•		232248	•						•		•					•	•	•	•	•	PRO AA Xs4 Smart	308758
•		232341	•			•	200		•		•	•	•	•		•	•	•	•	•	Alpha Plus	308760
•		232349	•			•	200		•		•	•	•	•		•	•	•	•	•	PRO AA Xs4 Smart	308761
•		232339	•			•	240		•		•	•	•	•		•	•	•	•	•	Alpha Plus	308760
•		232347	•			•	240		•		•	•	•	•		•	•	•	•	•	PRO AA Xs4 Smart	308761
•		232340	•			•	480		•		•	•	•	•		•	•	•	•	•	Alpha Plus	308760
•		232348	•			•	480		•		•	•	•	•		•	•	•	•	•	PRO AA Xs4 Smart	308761
•		231958			•				•		•					•	•	•	•	•	Alpha Plus	308690
•		232015			•	•	120		•		•	•	•	•		•	•	•	•	•	Alpha Plus	308693
•		232016			•	•	240		•		•	•	•	•		•	•	•	•	•	Alpha Plus	308693
•		231961			•				•		•					•	•	•	•	•	PRO AA Xs4 Smart	308691
•		232019			•	•	120		•		•	•	•	•		•	•	•	•	•	PRO AA Xs4 Smart	308694
•		232020			•	•	240		•		•	•	•	•		•	•	•	•	•	PRO AA Xs4 Smart	308694

Note: President 15:1 packages include a GG4413 tip with an additional tip of choice.

President 15:1 electrostatic packages include a GC3413 tip with an additional tip of choice.

Monark, President, Senator and Bulldog Air-Assisted Spray Packages

Ordering Information, continued

PRESIDENT 30:1 AIR-ASSISTED SPRAY PACKAGES

3000 psi (210 bar, 21 MPa)

Carbon Steel Stainless Steel Part Number	Wall-Mount Pail-Mount Light-Duty Cart-Mount Heavy-Duty Cart-Mount Heated Package	Heater Voltage	Fluid Regulator Fluid Filter Agtator	Siphon Tube	Back Pressure Regulator Circulation Kit	Circulation Manifold	Bare Package - no hose or gun Fluid Swivel at Gun Inlet	Whip Hose 2 ft. (0.6 m) Fluid Hose 25 ft. (7.6 m) Air Hose 25 ft. (7.6 m)	Applicator	Instruction Manual
• 232205	•		•	•		•				308757
• 232216	•		•	•		•				308757
• 232204	•		•	•			•	•	Alpha Plus	308757
• 232215	•		•	•			•	•	Alpha Plus	308757
• 232208	•		•	•			•	•	PRO AA Xs4 Smart	308758
• 232219	•		•	•			•	•	PRO AA Xs4 Smart	308758
• 232285	•	• 200	•	•	•	•	•	•	PRO AA Xs4 Smart	308761
• 232275	•	• 240	•	•	•	•	•	•	Alpha Plus	308760
• 232363	•	• 240	•	•	•	•	•	•	Alpha Plus	308760
• 232283	•	• 240	•	•	•	•	•	•	PRO AA Xs4 Smart	308761
• 232371	•	• 240	•	•	•	•	•	•	PRO AA Xs4 Smart	308761
• 232276	•	• 480	•	•	•	•	•	•	Alpha Plus	308760
• 232364	•	• 480	•	•	•	•	•	•	Alpha Plus	308760
• 232284	•	• 480	•	•	•	•	•	•	PRO AA Xs4 Smart	308761
• 232372	•	• 480	•	•	•	•	•	•	PRO AA Xs4 Smart	308761
• 231926			•	•		•				308690
• 231935			•	•		•				308690
• 231925			•	•			•	•	Alpha Plus	308690
• 231934			•	•			•	•	Alpha Plus	308690
• 231928			•	•			•	•	PRO AA Xs4 Smart	308691
• 231937			•	•			•	•	PRO AA Xs4 Smart	308691
• 231927			•	•			•	• 50ft. 50ft.	Alpha Plus	308690
• 231936			•	•			•	• 50ft. 50ft.	Alpha Plus	308690
• 231929			•	•			•	• 50ft. 50ft.	PRO AA Xs4 Smart	308691
• 231938			•	•			•	• 50ft. 50ft.	PRO AA Xs4 Smart	308691
• 231979		• 120	•	•	•	•	•	•	Alpha Plus	308693
• 232034		• 120	•	•	•	•	•	•	Alpha Plus	308693
• 231983		• 120	•	•	•	•	•	•	PRO AA Xs4 Smart	308694
• 232038		• 120	•	•	•	•	•	•	PRO AA Xs4 Smart	308694
• 231980		• 240	•	•	•	•	•	•	Alpha Plus	308693
• 231984		• 240	•	•	•	•	•	•	PRO AA Xs4 Smart	308694
• 232039		• 240	•	•	•	•	•	•	PRO AA Xs4 Smart	308694

Note: President 30:1 packages include a GG4413 tip with an additional tip of choice.

President 30:1 electrostatic packages include a GG3413 tip with an additional tip of choice.

Monark, President, Senator and Bulldog Air-Assisted Spray Packages

Ordering Information, continued

SENATOR 17:1 AIR-ASSISTED SPRAY PACKAGES

1700 psi (117 bar, 11.7 MPa)

Carbon Steel Stainless Steel Part Number	Wall-Mount Pail Mount	Light-Duty Cart-Mount Heavy-Duty Cart-Mount Heated Package	Heater Voltage	Fluid Regulator Fluid Filter Agitator	Siphon Tube	Back Pressure Regulator Circulation Kit Circulation Manifold	Bare Package - no hose or gun Fluid Swivel at Gun Inlet Whip Hose 2 ft. (0.6 m) Fluid Hose 25 ft. (7.6 m) Air Hose 25 ft. (7.6 m)	Applicator	Instruction Manual
• 237282	•			•	•	•			307933

BULLDOG 33:1 AIR-ASSISTED SPRAY PACKAGES

3300 psi (224 bar, 22.4 MPa)

Carbon Steel Stainless Steel Part Number	Wall-Mount 55 Gallon (200 l) Drum Mount	Light-Duty Cart-Mount Heavy-Duty Cart-Mount Heated Package	Heater Voltage	Fluid Regulator Fluid Filter Elevator	Siphon Tube	Back Pressure Regulator Circulation Kit Circulation Manifold	Bare Package - no hose or gun Fluid Swivel at Gun Inlet Whip Hose 2 ft. (0.6 m) Fluid Hose 25 ft. (7.6 m) Air Hose 25 ft. (7.6 m)	Applicator	Instruction Manual
• 245187	•			•	•	•			307932
• 245185	•		• 240	•	•	•			307932
• 245186	•		• 480	•	•	•			307932
• 237615	•			•	•	•			308478
• 244462		•		•	•		• 50ft. 50ft.	Alpha Plus RAC Hi-Flow	309342

Note: Bulldog 33:1 package includes a 242xxx tip of choice.

BULLDOG 41:1 AIR-ASSISTED SPRAY PACKAGES

4100 psi (278 bar, 27.8 MPa)

Carbon Steel Stainless Steel Part Number	Wall-Mount Pail Mount	Light-Duty Cart-Mount Heavy-Duty Cart-Mount Heated Package	Heater Voltage	Fluid Regulator Fluid Filter Agitator	Siphon Tube	Back Pressure Regulator Circulation Kit Circulation Manifold	Bare Package - no hose or gun Fluid Swivel at Gun Inlet Whip Hose 2 ft. (0.6 m) Fluid Hose 25 ft. (7.6 m) Air Hose 25 ft. (7.6 m)	Applicator	Instruction Manual
• 244469		•		•	•		• 50ft. 50ft.	Alpha Plus RAC Hi-Flow	309342

Monark, President, Senator and Bulldog Air-Assisted Spray Packages

Accessories

Fluid Whip Hoses

Maximum working pressure: 3000 psi
(207 bar, 20.7 MPa).

1/4 npt(m) x 1/4 npsm(f). CS wetted fittings.

236134 1/8 in. x 3 ft. (3 mm x 0.9 m)

236135 1/8 in. x 6 ft. (3 mm x 1.8 m)

Maximum working pressure: 4100 psi
(280 bar, 28 MPa). 1/4 npsm(fbe). SST wetted fittings.

239069 3/16 in. x 23.6 in. (4.7 mm x 0.6 m)

239108 1/4 in. x 23.6 in. (6.3 mm x 0.6 m)

Maximum working pressure: 4100 psi
(280 bar, 28 MPa). 1/4 npsm(fbe). CS wetted fittings.

238708 3/16 in. x 23.6 in. (4.7 mm x 0.6 m)

238709 3/16 in. x 39.4 in. (4.7 mm x 1 m)

238822 1/4 in. x 23.6 in. (6.3 mm x 0.6 m)

239082 3/16 in. x 39.4 in. (4.7 mm x 1 m)

Air Whip Hoses

Maximum working pressure: 100 psi (7 bar, 0.7 MPa).

1/4-18 npsm, polyurethane with stainless steel braid.

238759 3 ft. (0.92 m) hose

236873 6 ft. (1.83 m) hose

Twin Air and Fluid Hose Sets

Maximum air working pressure: 100 psi
(7 bar, 0.7 MPa).

Maximum fluid working pressure: 4100 psi
(280 bar, 28 MPa).

239102 1/4 in. x 24.6 ft. (6.3 mm x 7.5 m)
1/4 npsm(fbe). CS wetted fittings.

239074 1/4 in. x 24.6 ft. (6.3 mm x 7.5 m)
1/4 npsm(fbe). SST wetted fittings.

189018 Fluid Swivel

Maximum working pressure: 5800 psi (400 bar, 40 MPa). To ease movement of the gun and fluid hose. 1/4-18 npsm. Does not include filter chamber and tip filter.

239394 Fluid Swivel/Filter

Maximum working pressure: 5800 psi (400 bar, 40 MPa). To ease movement of the gun and fluid hose. 1/4-18 npsm.

Air-Powered Pail Agitator

226086 Carbon steel

224571 Stainless steel

207199 Drum Agitator with Stainless Steel Cover

Fluid Regulators

238890 Maximum working pressure: 6000 psi
(408 bar, 40.8 MPa). CS. Regulator
range: 500-3000 psi (34-210 bar,
3.4-21 MPa). Includes fluid gauge.

222121 Maximum working pressure: 1500 psi
(103 bar, 10 MPa). SST. Regulator range:
150-1200 psi (10-81.6 bar, 1-82 MPa).

Fluid Heaters

Maximum working pressure: 4000 psi (272 bar,
27.2 MPa). SST Viscon².

220522 120V

237312 200V

220523 240V

220524 480V

210500 In-Line Fluid Filter

5000 psi (350 bar, 35 MPa) maximum working
pressure. For additional filtering at the gun inlet.
100 mesh.

208259 Siphon Kit, Carbon Steel

Use to siphon fluid from a 55 gallon (200 l) drum.
Includes nylon suction hose 214961, 3/4" ID, 6 ft.
(1.8 m), 3/4 npt(f) swivel outlet fitting, bung adapter.

208920 Siphon Kit, Aluminum

Use to siphon fluid from a 5 gallon (18.9 l) pail.
Includes nylon suction hose 170706, 1" ID, 4 ft.
(1.2 m) long, 3/4 npt(f) swivel outlet fitting, inlet
strainer.

207484 Siphon Kit, Aluminum

Use to siphon fluid from a 5 gallon (18.9 l) pail.
Includes nylon suction hose 214960, 3/4" ID, 3.5 ft.
(1.1 m) long, 3/4 npt(f) swivel outlet fitting.

236054 Suction Kit, Carbon Steel

Use to siphon material out of a 55 gallon (200 l)
closed-end drum. Includes siphon tube, bung adapter,
6 ft. (1.8 m) nitrile hose and 1-1/2 npt(m) outlet
fitting.

245176 Suction Kit, Xtreme, Carbon Steel

Includes 197682 suction tube, 244516 (1 in.) suction
hose, 6 ft. (1.8 m), Quick Disconnect fitting and elbow.